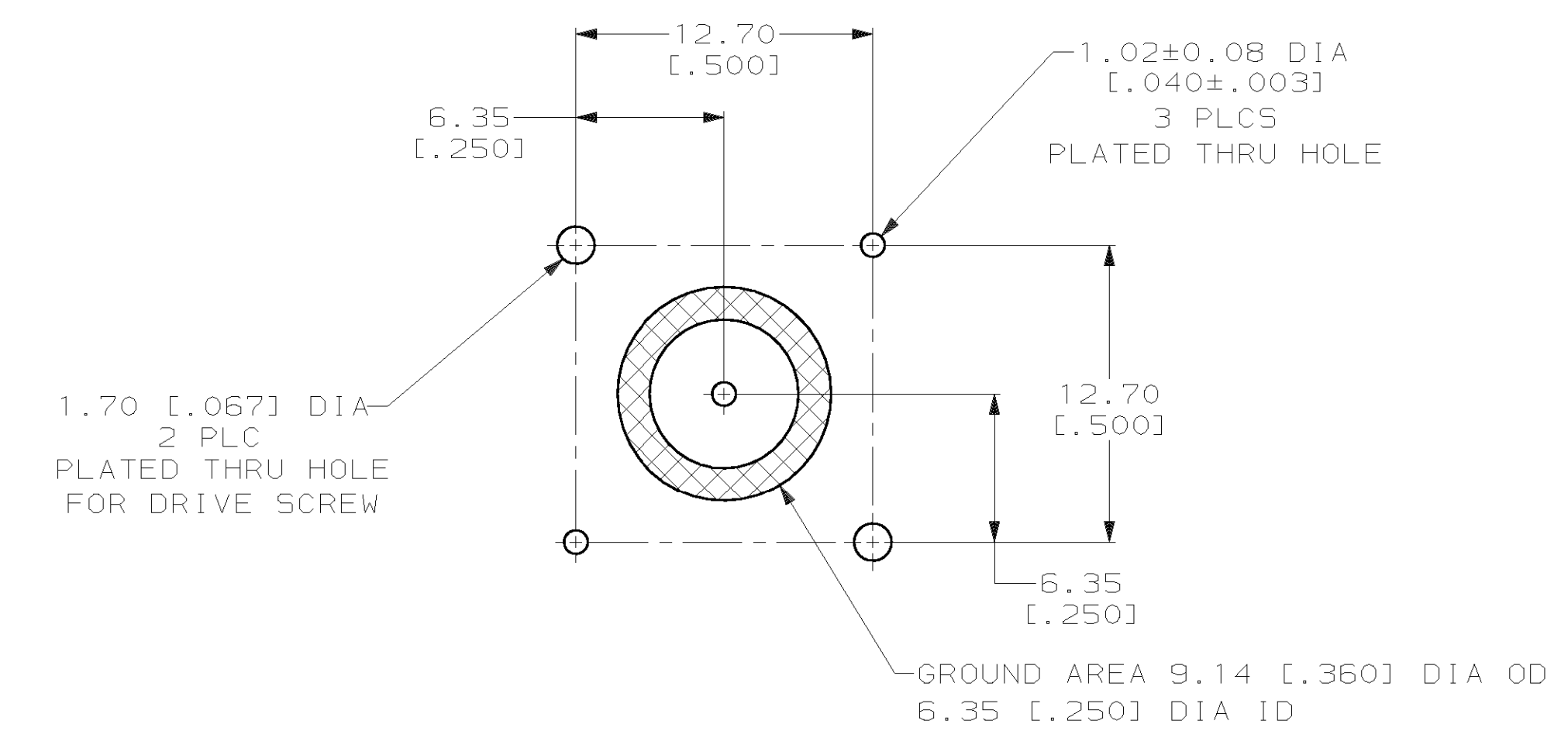
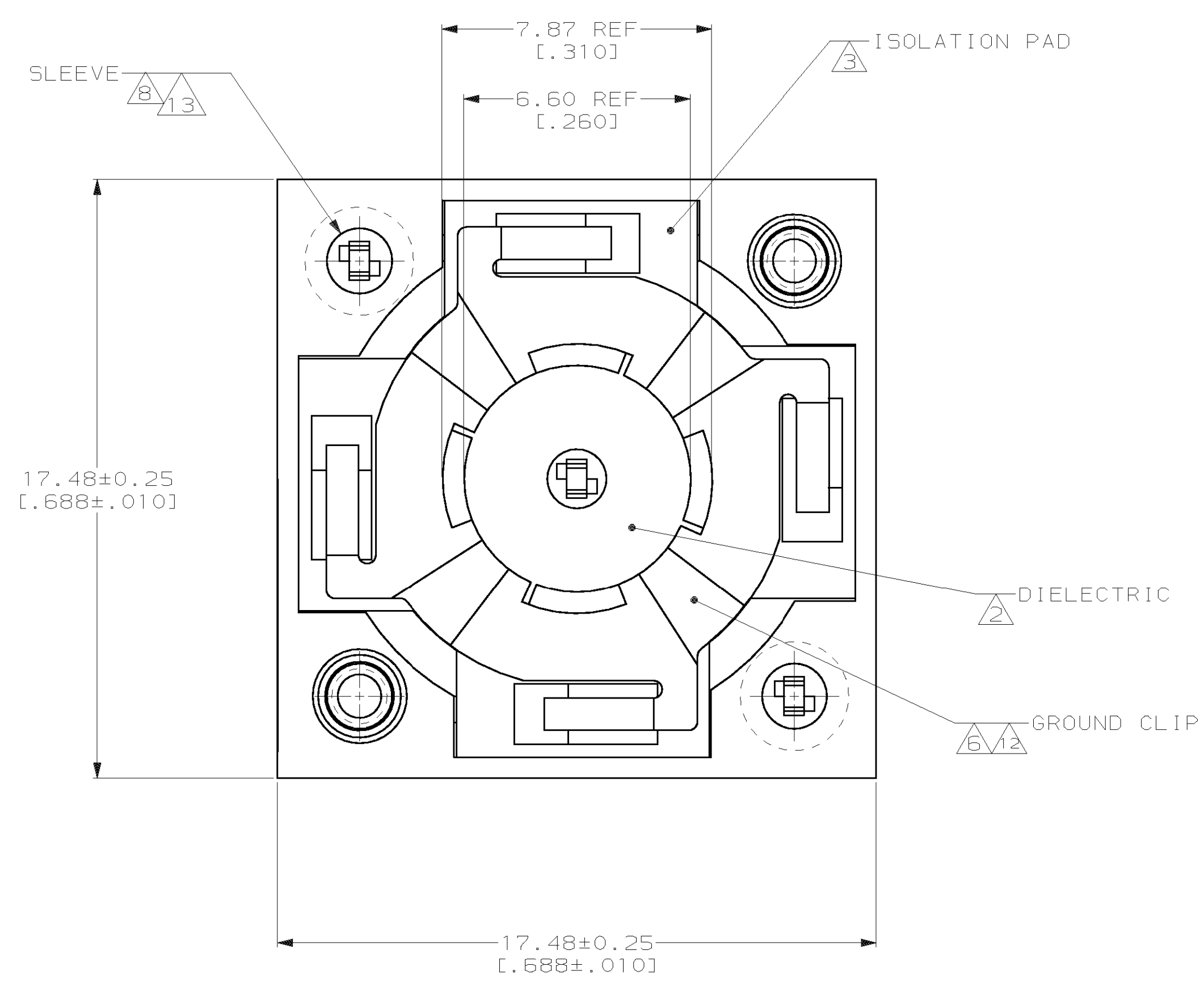
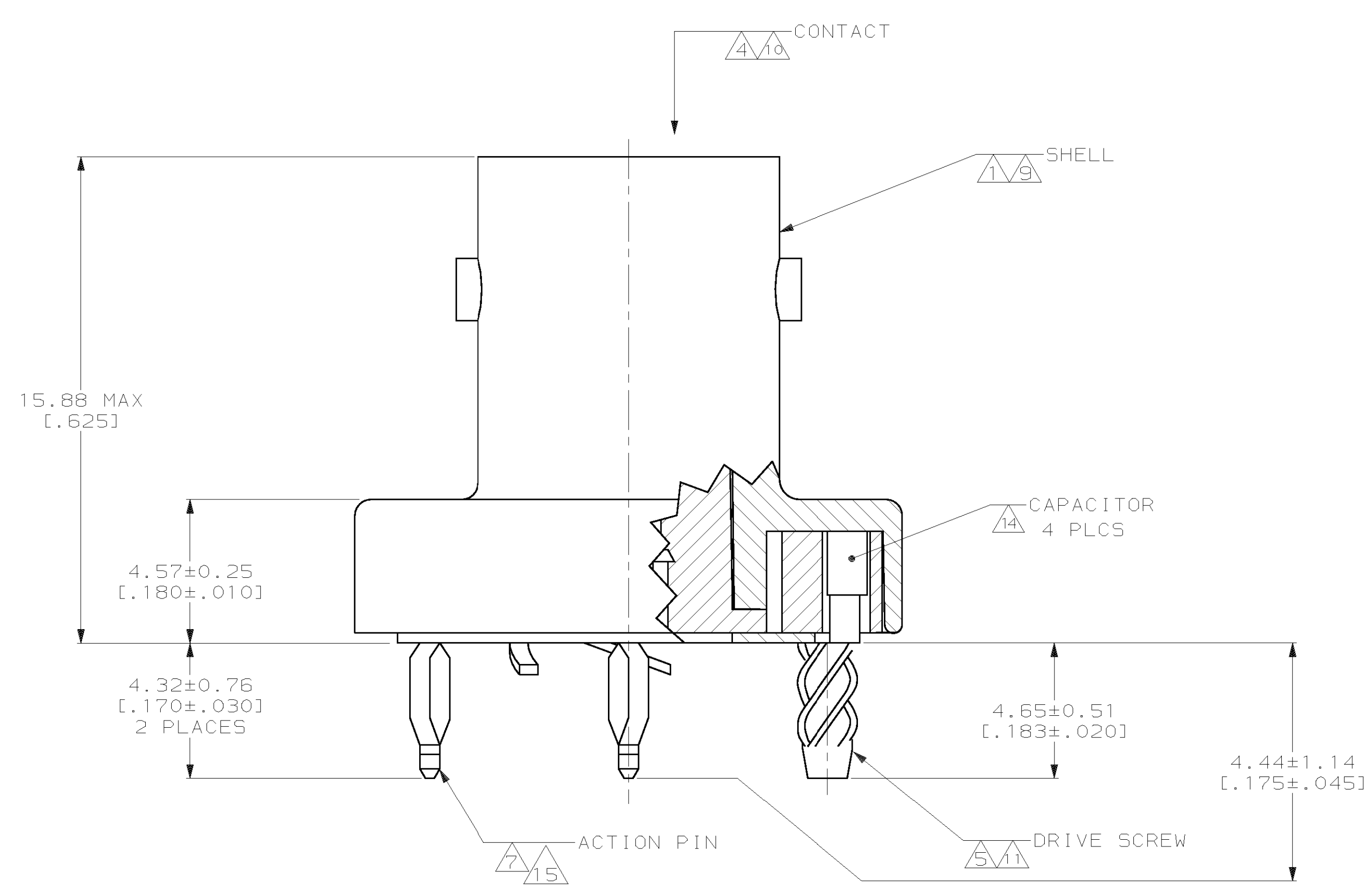


REVOLUTION		ZONE		LTR		REVISIONS		DATE	APPD
LOC	DIST	P	F			DESCRIPTION			
AJ	16			H		REV PER OU20-0223-00		28JUN00	MO



RECOMMENDED PCB CONFIGURATION
 SCALE 4:1

- 1 ZINC PER QQ-Z-363.
- 2 PTFE PER MIL-P-19468.
- 3 POLYESTER PER MIL-P-24519.
- 4 BERYLLIUM COPPER PER QQ-C-530.
- 5 STAINLESS STEEL PER ASTM-A-582.
- 6 PHOSPHOR BRONZE PER ASTM-B-103.
- 7 COPPER NICKEL ALLOY PER ASTM-B-122.
- 8 BRASS PER QQ-B-626.
- 9 NICKEL PLATE PER QQ-N-290
 5.08µm [.000150] MINIMUM THICK.
- 10 GOLD PLATE PER MIL-G-45204
 0.76µm [.000050] MINIMUM THICK.
- 11 PASSIVATE PER QQ-P-35.
- 12 NICKEL PLATE PER QQ-N-290
 0.76µm [.000030] MINIMUM THICK.
- 13 TIN-LEAD PLATE PER ASTM-B-545,
 2.54µm [.000100] MINIMUM THICK.
- 14 ELECTRICAL CHARACTERISTICS:
 A. CAPACITANCE 10800 pF
 B. DIELECTRIC WITHSTANDING VOLTAGE
 1000 VDC
- 15 GOLD PLATE PER MIL-G-45204

414553-1
 PART NO

DO NOT SCALE PRINT. UNLESS SPECIFIED DIMENSIONS IN mm [INCHES] TOLERANCES ON: 2 PLC DEC ± 0.05 [.002] 3 PLC DEC ± - ANGLES ± -		DR 3-25-93 J. LIPPERT CHK 4-8-93 A. GABANY APPD 4-8-93 A. GABANY APPD 4-8-93 J. LIPPERT		AMP Incorporated Harrisburg, PA 17105-3508 NAME JACK, DECOUPLER, PCB, ACTION PIN, 50Ω, BNC		
SEE NOTES 1 THRU 8		PRODUCT SPEC -				
FINISH SEE NOTES 9 THRU 13		APPLICATION SPEC -		SIZE D	CAGE CODE 00779	DRAWING NO 414553
		WEIGHT -		SCALE 8:1	SHEET 1 OF 1	